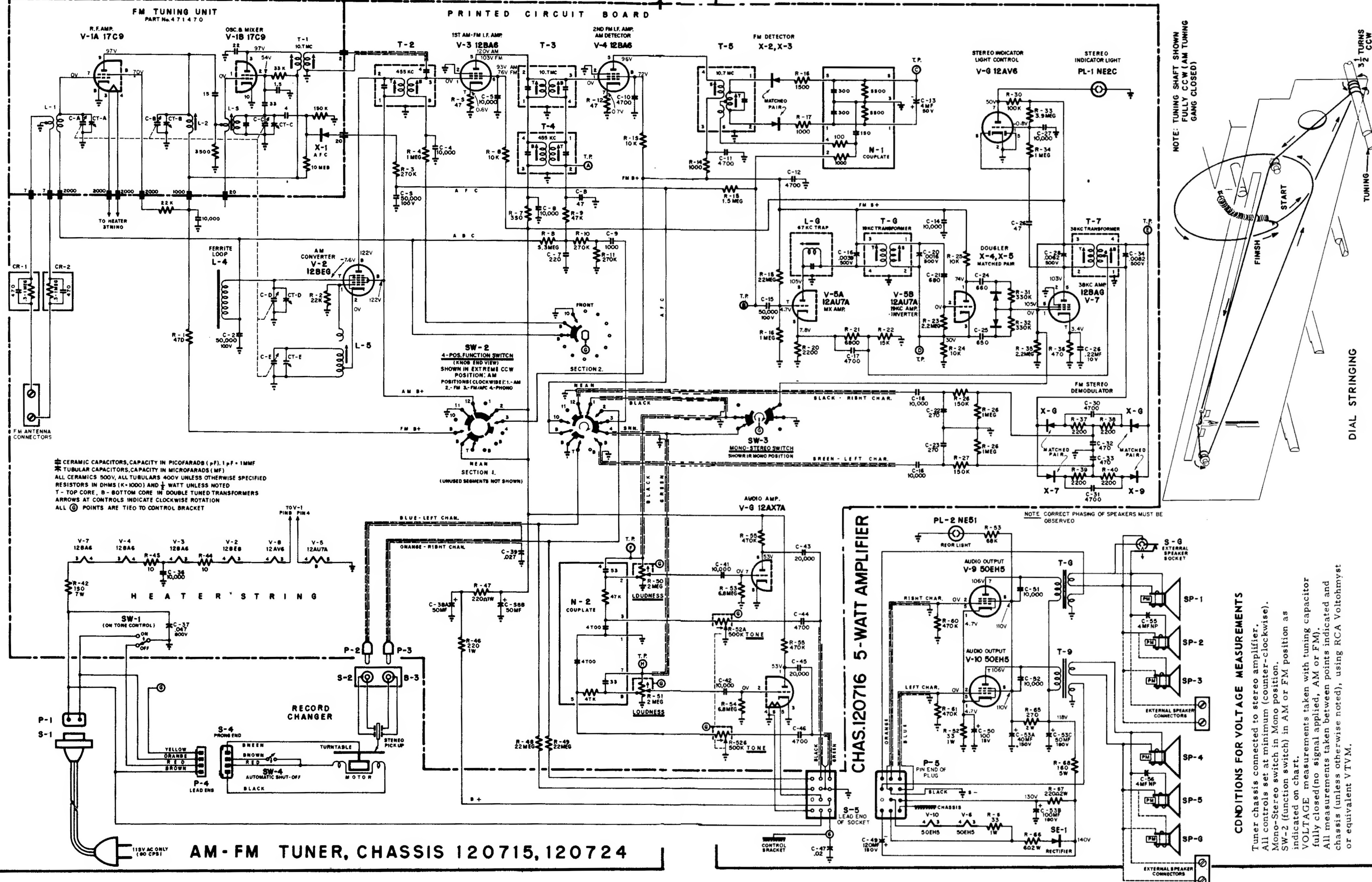


EMERSON Chassis 120715, 120716, 120724, Schematic Diagram

FM TUNING UNIT  
PART No. 471470

PRINTED CIRCUIT BOARD



■ CERAMIC CAPACITORS, CAPACITY IN PICOFARADS (PF). 1 PF = 1MMF  
 \* TUBULAR CAPACITORS, CAPACITY IN MICROFARADS (MF)  
 ALL CERAMICS 500V, ALL TUBULARS 400V UNLESS OTHERWISE SPECIFIED  
 RESISTORS IN OHMS (K=1000) AND 1/2 WATT UNLESS NOTED  
 T - TOP CORE, B - BOTTOM CORE IN DOUBLE TUNED TRANSFORMERS  
 ARROWS AT CONTROLS INDICATE CLOCKWISE ROTATION  
 ALL (C) POINTS ARE TIED TO CONTROL BRACKET

NOTE: TUNING SHAFT SHOWN FULLY CCW (AM TUNING GANG CLOSED)

**CONDITIONS FOR VOLTAGE MEASUREMENTS**  
 Tuner chassis connected to stereo amplifier.  
 All controls set at minimum (counter-clockwise).  
 Mono-Stereo switch in Mono position.  
 SW-2 (function switch) in AM or FM position as indicated on chart.  
 VOLTAGE measurements taken with tuning capacitor fully closed (no signal applied, AM or FM).  
 All measurements taken between points indicated and chassis (unless otherwise noted), using RCA Voltohmmyst or equivalent VTVM.

AM-FM TUNER, CHASSIS 120715, 120724

CHAS. 120716 5-WATT AMPLIFIER

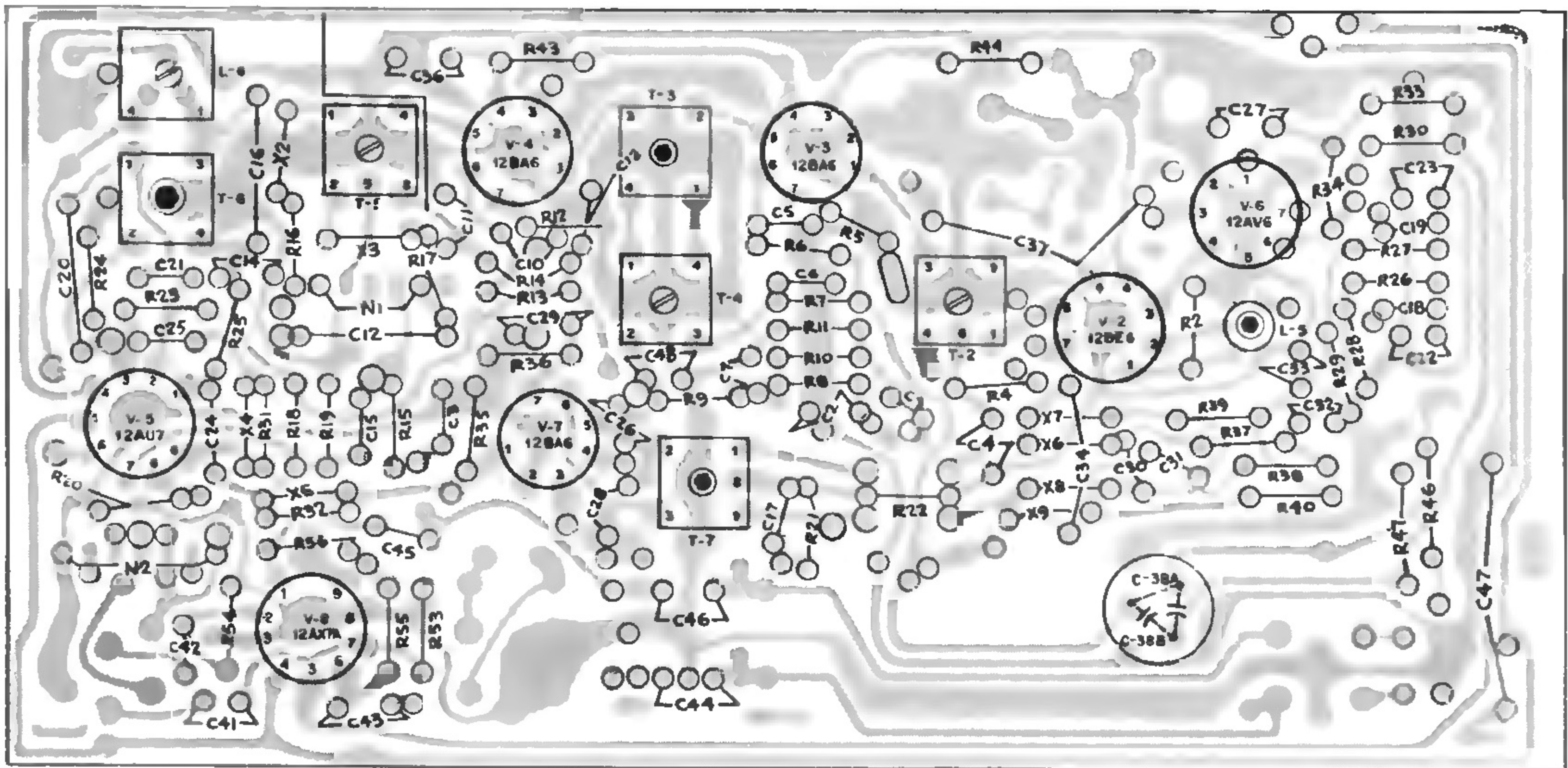
NOTE: CORRECT PHASING OF SPEAKERS MUST BE OBSERVED

# Emerson Radio

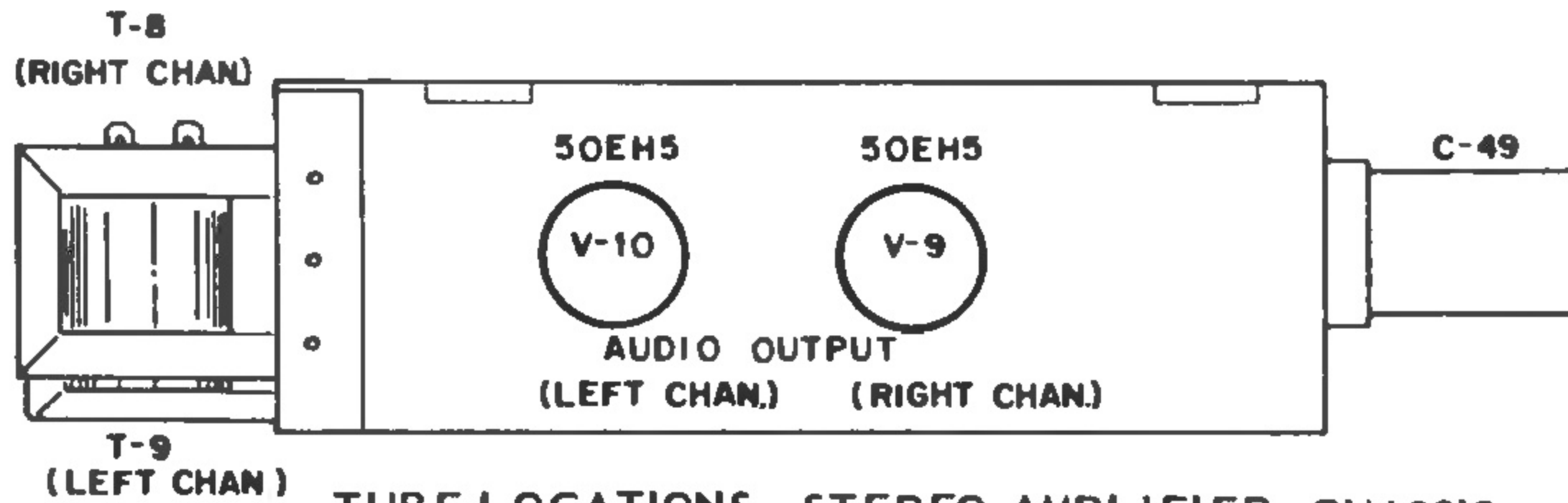
Chassis 120715, 120716, 120724

## MODEL AND CHASSIS CROSS-REFERENCE

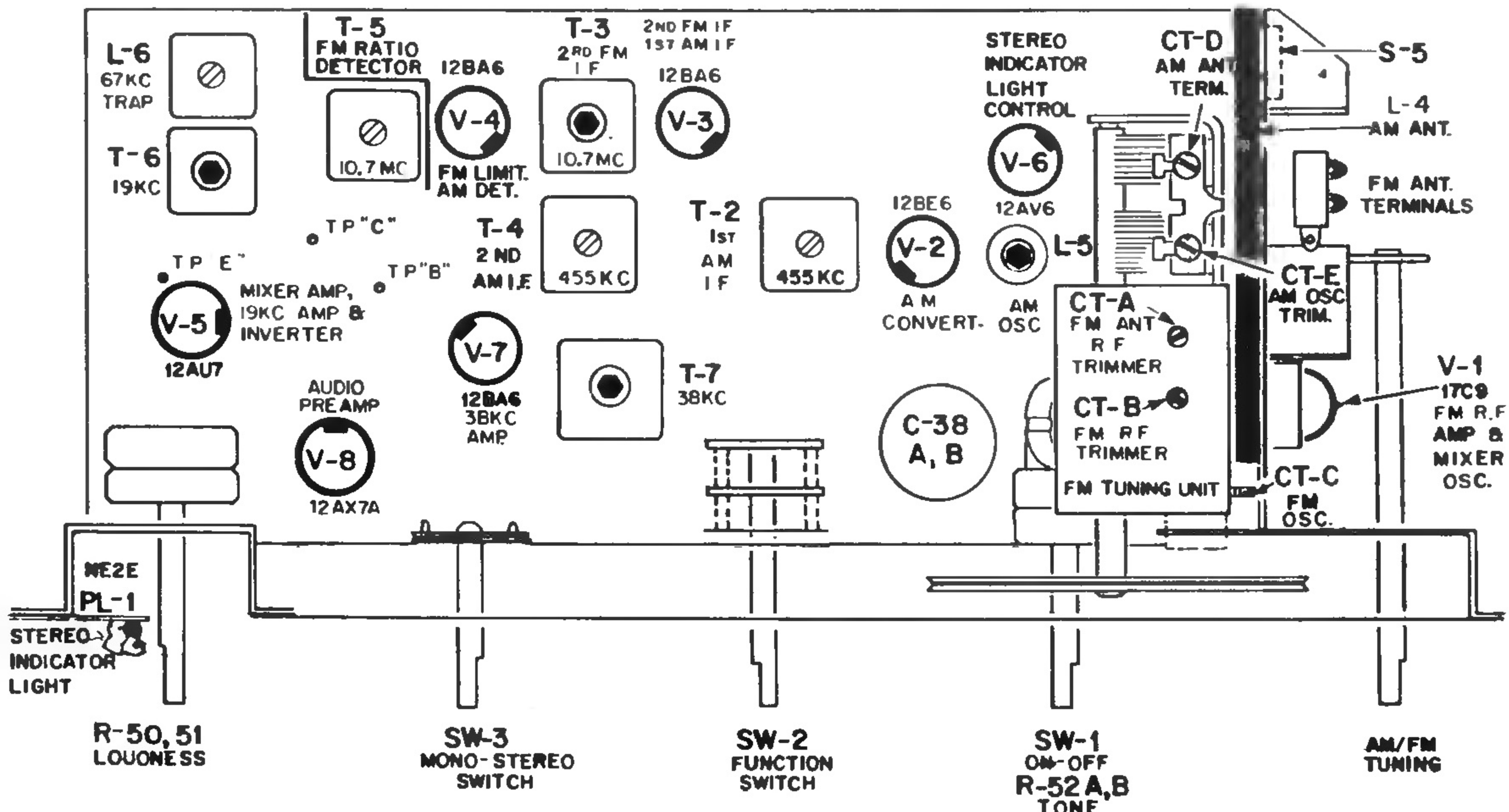
MODEL NUMBER	AM/FM TUNER	STEREO AMPLIFIER
P-1925A	120715	120716
P-1927	120715	120716
P-1935	120724	120716
P-1938	120724	120716



ETCHED PRINTED CIRCUIT, AM-FM TUNING CHASSIS (TOP VIEW)



TUBE LOCATIONS. STEREO AMPLIFIER CHASSIS



TUBE LOCATIONS AND ALIGNMENT POINTS, AM-FM TUNING CHASSIS.